

LIGRE

INSTRUCTIONS COFFEE GRINDER SIJI

Translation of original user manual

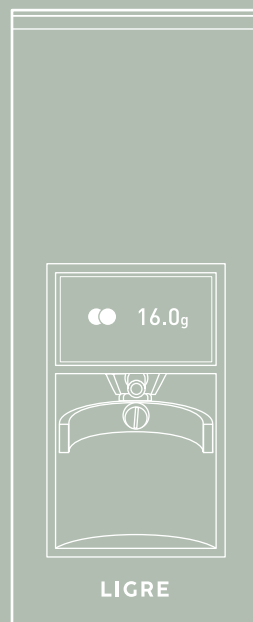


TABLE OF CONTENTS

1	Safety	4
2	Scope of delivery	7
3	LIGRE siji	8
	3.1 Control elements	10
	3.2 Accessories	10
4	Setup	11
	4.1 Setting up and connecting	11
	4.2 Preparing for use	12
5	The operation	13
	5.1 grind by weight mode	13
	5.2 grind by time mode	15
	5.3 Adjusting the grinding degree	16
	5.4 Finding the right grinding degree	16
6	The settings	18
	6.1 Aligning the portafilter	18
	6.2 Opening the statistics	19
	6.3 Setting the display brightness	19
	6.4 Calibrating the scale	20
7	The cleaning and maintenance	21
	7.1 Cleaning the coffee grinder	21
	7.2 Cleaning the burr grinder	22
	7.3 Maintenance	23
8	Technical data	24
9	The troubleshooting	25
10	On environmental protection and energy	28
11	The warranty	29
12	The LIGRE Service	30



NOTE

On our website at ligre.com/service you will find lots of helpful information and how-to videos on operating and maintaining the LIGRE siji, as well as FAQs, instructions and other documents.

1 SAFETY

GENERAL INFORMATION

- Read the user manual
- Retain the user manual
- Check appliance for transport damage and, if found, do not plug it in

INTENDED USE

The LIGRE siji coffee grinder is used to grind coffee beans both for private domestic use and for businesses such as offices, studios or similar, but not for the continuous mass production of foodstuffs.

Any other use is not considered to be in line with the intended purpose and is therefore dangerous. LIGRE assumes no liability for the consequences of improper use.

RESTRICTION OF THE USER GROUP

This appliance can be used by children over the age of 8 years and people with reduced physical, sensory or mental abilities or a lack of experience or knowledge if they are supervised during use or have been trained in the safe use of the appliance and have understood the resulting dangers.

Children are not permitted to play with the appliance.

Children are not permitted to clean or maintain the appliance unless they are over the age of 8 years and are supervised.

Keep the appliance and cable out of reach of children under 8 years of age.

SAFETY INFORMATION



DANGER

Risk of suffocation

Children may pull the packaging over their heads or wrap themselves in it and suffocate.

- Keep the packaging material away from children.

Children may swallow or inhale small parts and choke on them.

- Keep small parts away from children.
-



DANGER

Risk of electric shock

There is a risk of electric shock due to improper installation.

- Only operate the appliance according to the specifications on the type plate and in the technical data.
- Only connect the appliance to a properly installed and earthed wall socket.

There is a risk of electric shock if the coffee grinder is damaged.

- Only operate the appliance if the cable and mains plug are undamaged.
- Never pull on the cable to disconnect the appliance from the power supply.
- Only operate the appliance in a fault-free condition.

There is a risk of electric shock due to contact with water or water vapour.

- Do not immerse the appliance in water or hold it under running water.
 - Keep the cable and mains plug away from water and water vapour.
 - Only operate the appliance indoors.
 - Unplug the appliance before cleaning it.
-

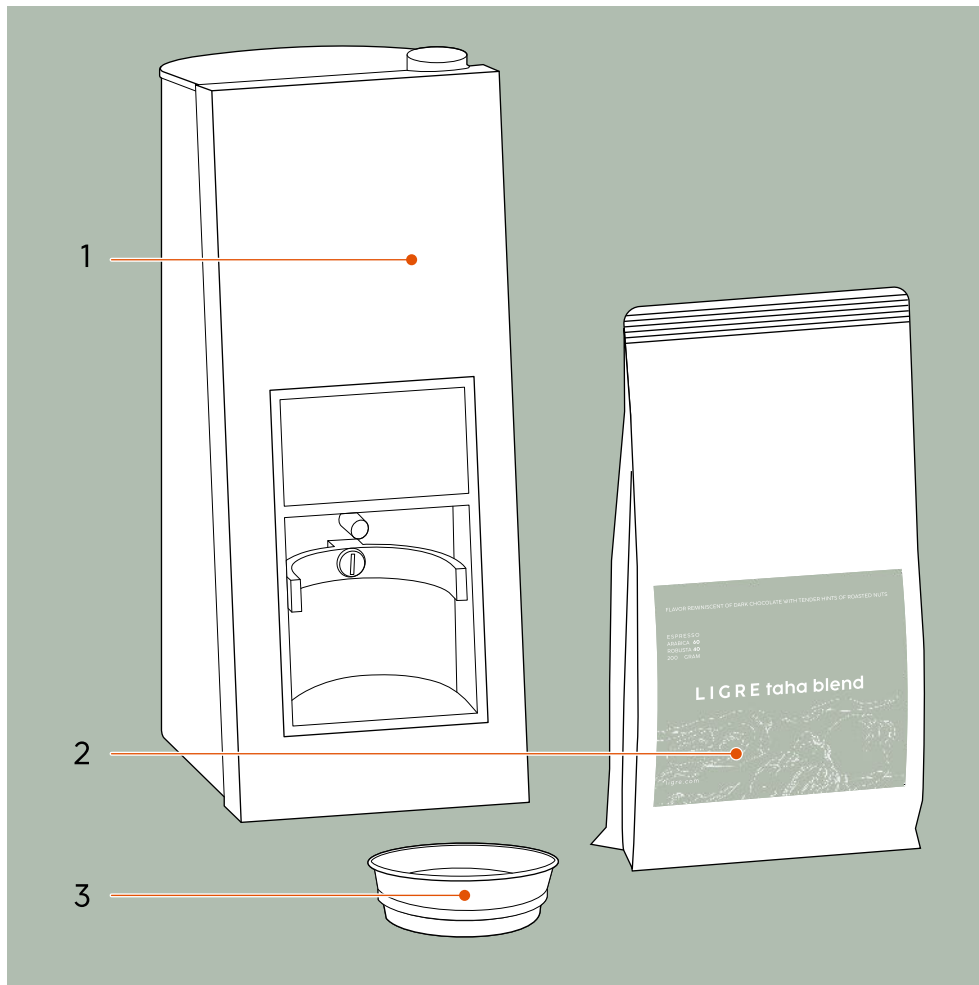
**DANGER**

Risk of electric shock

There is a risk of electric shock due to improper repairs.

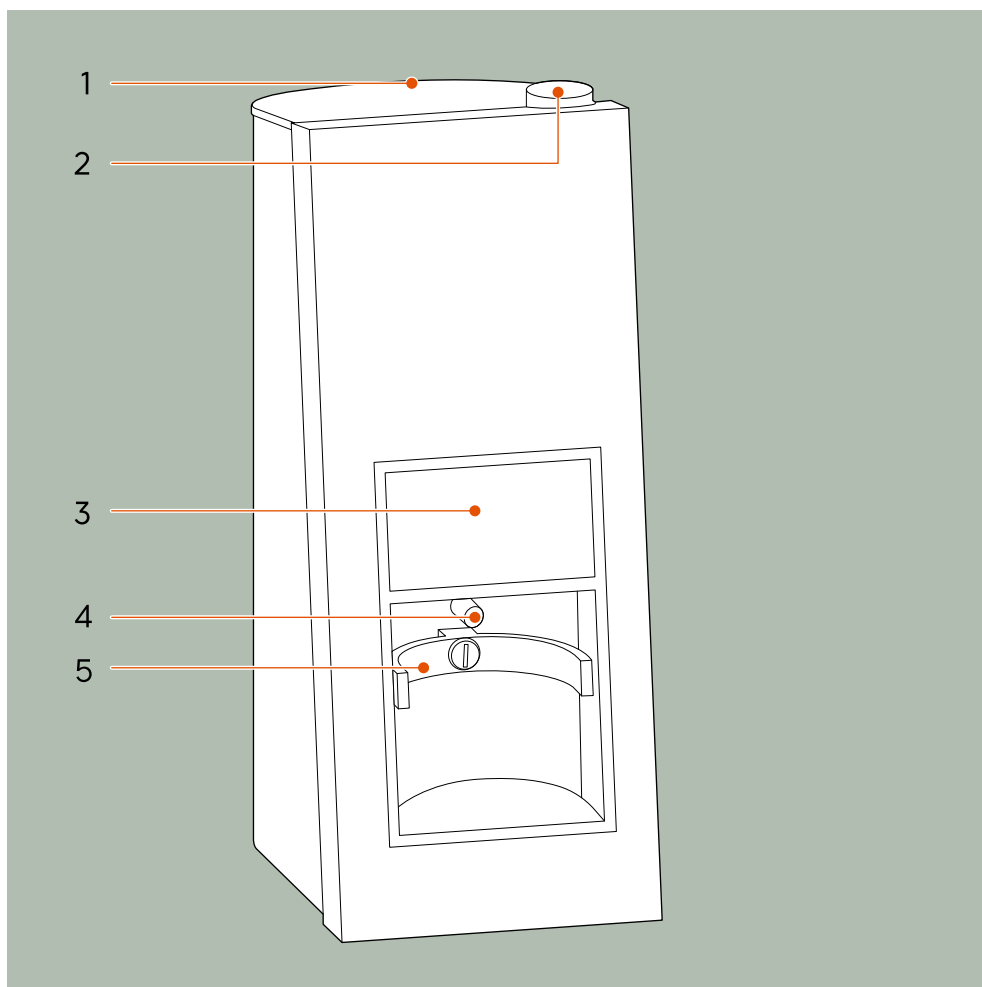
- Never open the appliance.
 - Only have repairs undertaken by trained experts.
 - If the power cable for the appliance is damaged, it must be replaced by the manufacturer, its customer service or a similarly qualified specialist in order to avoid hazards.
 - Only use original spare parts.
-

2 SCOPE OF DELIVERY



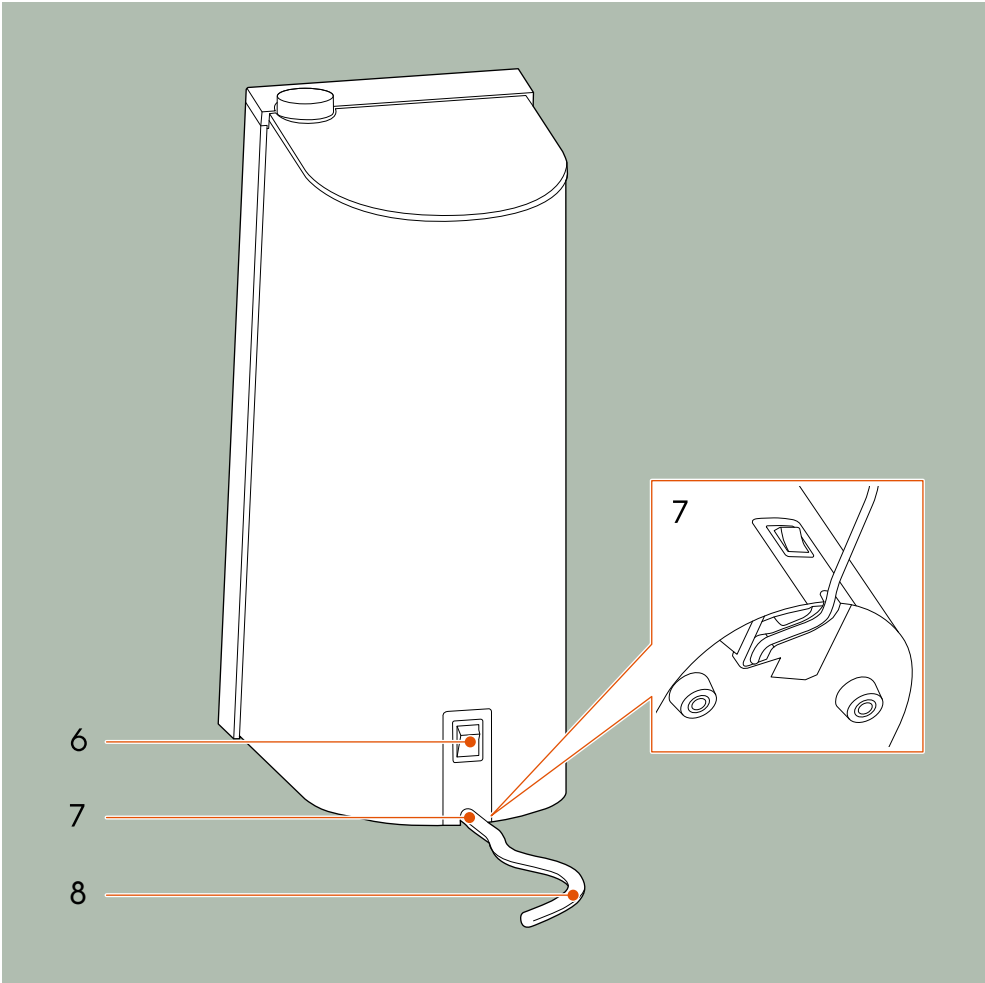
- 1 Coffee grinder LIGRE siji
 - 2 Coffee beans LIGRE taha blend 200 g
 - 3 Funnel
- LIGRE siji quickstart guide and quick reference guide
Optional adapter for power plugs (for CH, DK, UK)

3 LIGRE SIJI



- 1 Lid of bean hopper
- 2 Grinding adjustment knob
- 3 Touchscreen

- 4 Silicone attachment for tilt angle
- 5 Portafilter support



6 Power switch
7 Cable routing

8 Power cable

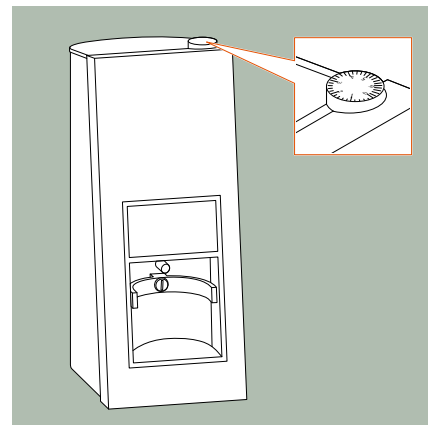
3.1 CONTROL ELEMENTS

So that you can concentrate fully on preparing your espresso, we have deliberately designed the operating elements of your coffee grinder to be simple.

GRINDING ADJUSTMENT KNOB

You can use the knob to easily adjust the grinding degree on your grinder to suit your preferences. The adjustment of the grinding degree enables you to grind the coffee very coarse to very fine. You can turn the grinding adjustment knob multiple times completely.

You can find out more in 5.3, "Adjusting the grinding degree".



TOUCHSCREEN

Most of the operation is carried out via the touchscreen on your LIGRE siji. The intuitive user interface helps you to quickly find your way around.

You can find out more in 5, "The operation".



MENU

The menu offers you additional functions and settings for your LIGRE siji. To call up the menu, touch the circle symbol on the home screen for approx. 2 seconds.

You can find out more about the options in 5.2 "grind by time mode", 6.2 "Opening the statistics", 6.3 "Setting the display brightness" and 6.4 "Calibrating the scale".

3.2 ACCESSORIES

You can find the following cleaning products and accessories in our LIGRE webshop so that you can enjoy your coffee experience to perfection.

LIGRE Grinder cleaner	To extend the service life of your coffee grinder and achieve consistent grinding results, use the LIGRE grinder cleaner regularly.
Cleaning brush	With the cleaning brush for the brew group, you can remove blockages and obstructions from your LIGRE siji.

4 SETUP

4.1 SETTING UP AND CONNECTING

To prepare your first espresso right away, we will show you here how to set up and connect your coffee grinder.



DANGER

Risk of electric shock

There is a risk of electric shock due to contact with water or water vapour.

- Do not place the appliance on a surface where a jet of water might reach it.
-



NOTE

Soiling on the work surface underneath the grinder impairs the stability of the coffee grinder.

Vibrations occur during grinding. This is why it is important that you choose the right surface so that the grinder does not move during operation.

1. Please read the safety instructions in 1 "Safety".
 2. Place your coffee grinder on a clean, horizontal and stable flat work surface.
 3. Open the bean hopper.
 4. Wipe the lid of the bean hopper and the inside of the bean hopper with a slightly damp cloth.
 5. Make sure that the lid and the inside of the bean hopper are dry after wiping.
-

NOTE



Wetness or moisture in the bean hopper causes the burr grinder to become stuck, blocked and ultimately damaged.

- Only clean the bean hopper and burr grinder with a slightly damp cloth.
 - Allow the grinder to dry completely after cleaning.
-

6. To adjust the cable length, push the excess cable on the back into the inside of the coffee grinder and fix it carefully in the recess provided so that the cable is not trapped under the coffee grinder.

7. Make sure that the coffee grinder is stable and does not wobble.
8. Insert the mains plug into the wall socket.

4.2 PREPARING FOR USE

We want to make it as easy as possible for you to get started so you can enjoy your coffee in no time. We carefully calibrated the grinder's scales in advance and preset the grinding degree, as well as the recommended quantities for single and double espresso.

To grind the coffee for your first espresso, you just need the coffee beans supplied, a portafilter with a filter basket inside it and the following instructions.

1. Switch the grinder on at the power switch.
 - ▶ The grinder starts in grind by weight mode mode.
2. Open the bean hopper and fill with the coffee beans provided.
3. Close the bean hopper.
4. Gently place the portafilter into the portafilter holder and release it.
 - ▶ The grinder automatically determines the weight of the portafilter.
 - ▶ The grinding process begins once the display is on zero.
 - ▶ After the grinding process has ended, the touchscreen shows the precise weight of the coffee powder.
5. Remove the portafilter from the portafilter holder and dispose of the ground coffee.
6. Repeat the grinding process another 2 times and dispose of the ground coffee.
 - ▶ You can now grind the coffee beans for your first espresso.

5 THE OPERATION

We have designed your LIGRE siji in such a way as to ensure that you get very good ground coffee in just a few simple steps.

NOTE



When the coffee grinder is switched on for the very first time, it always starts in grind by weight mode. The last grinding mode used – grind by weight or grind by time – remains set until you change it.

5.1 GRIND BY WEIGHT MODE

In grind by weight mode, the grinder grinds the coffee beans by weight until the desired amount is produced.

The scale built into the grinder allows you to grind to an accuracy of +/- 0.1 grams. The amount set is saved for the next grinding process. This is an important basic requirement for your perfect espresso: the exact amount of ground coffee required.

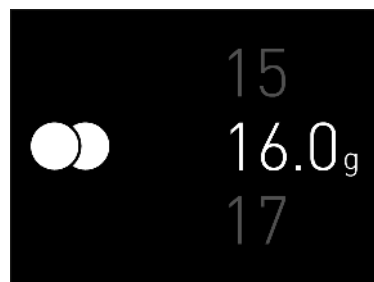
In grind by weight mode, the grinder differentiates between the quantity for a single or double espresso. To choose between single or double, tap the circle icon on the home screen.

SINGLE ESPRESSO

With the single circle symbol, you set how many grams the grinder should grind for a single espresso. The default setting here is 11 g.



Tap on the value shown and scroll up or down with your finger to change the amount if necessary. Both the grams and the tenths of a gram can be finely adjusted in this way (shown here using the example of a double espresso).



DOUBLE ESPRESSO

With the double circle symbol, you set how many grams the grinder should grind for a double espresso or two single espressos. The default setting here is 16 g.

Tap on the value shown and scroll up or down with your finger to change the amount if necessary. Both the grams and the tenths of a gram can be finely adjusted in this way.



STARTING THE GRINDING PROCESS

1. Place the funnel on the portafilter so that no ground material falls next to the portafilter.
2. Gently place the portafilter with the funnel into the portafilter holder and release it.
 - ▶ The grinder's integrated scale automatically determines the weight and tares to zero.
 - ▶ The grinding process begins once the display is on zero.
 - ▶ After the grinding process has ended, the touchscreen shows the precise weight of the ground coffee.
3. Take the portafilter out of the portafilter holder and remove the funnel.
 - ▶ You can now tamp the ground coffee and brew it into an espresso in your portafilter machine.

CANCELLING THE GRINDING PROCESS

You can cancel the grinding process at any time.

1. During the grinding process, tap lightly on the portafilter.
 - ▶ The grinder cancels the grinding process.
2. Remove the portafilter from the portafilter holder and grind the coffee beans again according to your requirements.

NOTE



The coffee grinder always starts grinding at 0.0 grams. If you cancel the grinding process in grind by weight mode, always start the new grinding process with an empty portafilter, as the ground coffee already in the portafilter is not taken into account when the desired quantity is ground again.

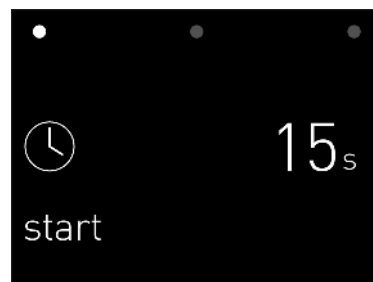
5.2 GRIND BY TIME MODE

As an alternative to grind by weight mode, your LIGRE siji also allows you the option to grind by time in grind by time mode. The grinder grinds the coffee beans until the set time is reached.

You can grind larger quantities of coffee or use the LIGRE grinder cleaner to clean the burr grinder.

To switch to grind by time mode, touch the circle symbol on the home screen for approx. 2 seconds.

Here you select how many seconds the grinder should grind for.



STARTING THE GRINDING PROCESS

1. Place the funnel on the portafilter so that no ground material falls next to the portafilter.
2. Gently place the portafilter with the funnel into the portafilter holder and release it.
3. Tap on the time shown and scroll up or down with your finger to set the desired time.
4. Start the grinding process with “start”.
 - ▶ The grinder ends the grinding process automatically once the set time is reached.
5. Take the portafilter out of the portafilter holder and remove the funnel.
 - ▶ You can now tamp the coffee powder and brew it into an espresso in your portafilter machine.
6. To return to grind by weight mode, tap the clock symbol once.
 - ▶ You will return to the home screen.

CANCELLING THE GRINDING PROCESS

To cancel the grinding process in grind by time mode, tap “stop” on the touchscreen.

5.3 ADJUSTING THE GRINDING DEGREE

You can change the grinding degree using the knob on your grinder. Please note that you can turn the dial multiple times completely.

SETTING A FINER GRINDING DEGREE

You should always adjust the grinder setting to a finer grinding degree during the grinding process to prevent the burr grinder from becoming blocked.

1. Place the portafilter into the portafilter holder and release it.
 - ▶ The grinding process starts automatically.
2. Turn the knob clockwise until the desired setting is reached. The scale marks on the knob become smaller.

Note that the grinding result may be inaccurate after 1-2 grinding processes, as the grinding discs have to adjust to the finer grinding degree, and there is still residue from the coarser ground coffee in the grinder.

SETTING A COARSER GRINDING DEGREE

You can set your grinder to a coarser grinding degree at any time.

1. Turn the knob anticlockwise until the desired setting is reached. The scale marks on the knob become larger.
2. Note that the grinding result may be inaccurate after 1-2 grinding processes, as there is still residue from the finer ground coffee in the grinder.

5.4 FINDING THE RIGHT GRINDING DEGREE

It is your grinder's job to grind the coffee beans as gently as possible with an even particle size so that a very high-quality espresso can be extracted.

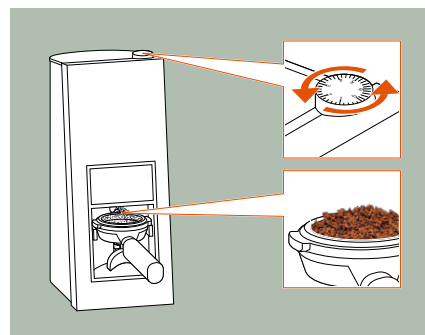
To find the right grinding degree for you, consider how you prefer to drink your espresso. In combination with the extraction settings that you can set on your LIGRE your portafilter machine, you can adjust the grinding degree to suit your taste, roast and type of coffee beans.

The grinding degree forms the basis for the flavour of your espresso. The particle size of the ground coffee significantly influences the extraction time and thus the speed at which the water flows through the basket in the portafilter.

With a coarse grinding degree, the water flows faster and the extraction time is shorter. The espresso tends to taste fruity, mild, acidic and only has a slight crema.

With a fine grinding degree, the water flows more slowly and the extraction time is longer. The espresso tastes more intense, more bitter, the roasted flavours come more to the fore and the crema is richer.

1. Depending on whether you want to brew a single espresso, a double espresso or two espressos, take either the single filter basket or the double filter basket and place it into the portafilter.
2. Insert the portafilter into your coffee grinder and, if necessary, use the knob to make the grinding degree finer during operation until the freshly ground coffee starts to form small clumps.
 - ▶ The grinding degree now forms a good basis for brewing a delicious espresso.
 - ▶ If the grinding degree is already too fine or the grinding discs are completely closed, open the grinding discs by setting the grinding degree to a coarser setting until the clumps are the desired sized.
3. Tamp the ground coffee in the portafilter with approx. 15 kg contact pressure and make sure that the upper edge of the portafilter is free of coffee powder before you clamp it into your portafilter machine.



To be able to enjoy an espresso just the way you like it, you can individually set various brewing parameters on your LIGRE youn, which, in addition to the grinding degree of the coffee beans, also influence the flavour in a variety of ways. Take a look at the operating manual for the LIGRE youn and try out the integrated LIGRE guide. The LIGRE guide will also help you to find the perfect grinding degree.

You can also find more barista know-how, tips and tricks on our website ligre.com/service.

6 THE SETTINGS

You can use further settings on the LIGRE siji to optimise working with your coffee grinder if required.

6.1 ALIGNING THE PORTAFILTER

If ground coffee falls next to the portafilter during grinding – even when using the funnel – you can realign the portafilter to reduce the level of scattering. To do this, you can adjust the angle of the portafilter in your grinder.

NOTE



Ground coffee builds up a static charge.

The drier the air is, the higher the static charge of the ground coffee. This means that freshly ground coffee can increasingly fall next to the portafilter. The same applies to a coarser grinding degree compared to a finer one.

With your LIGRE siji, care has been taken to minimise the static charge of the coffee grinder. Nevertheless, we cannot guarantee that no ground coffee will fall next to the portafilter.

SETTING THE ANGLE OF THE PORTAFILTER

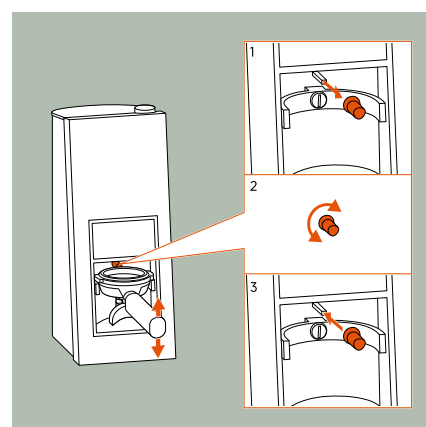
To set the angle of the portafilter, a silicone attachment is fitted to the grinder for the tilt angle.

NOTE



The silicone attachment for the tilt angle intentionally has an uneven shape. The angle of the portafilter can be adjusted by aligning the silicone attachment.

1. Remove the silicone attachment for the tilt angle from the grinder.
2. Turn the silicone attachment to the desired setting.
3. Reinsert it on the back wall of the grinder.

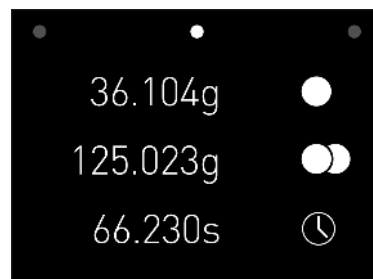


6.2 OPENING THE STATISTICS

The statistics enable you to see at a glance how much coffee you have already ground in the various modes with your grinder.

The statistics also help you to determine the right time to clean the burr grinder and perform maintenance on your grinder.

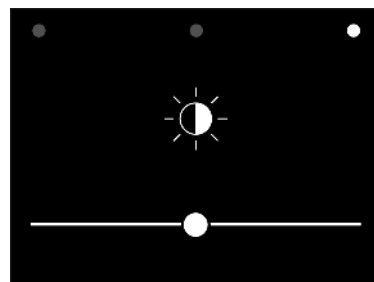
1. To open the menu, touch the circle symbol on the touchscreen for approx. 2 seconds.
 - ▶ The menu opens.
2. Tap the dot in the middle.
 - ▶ The statistics are displayed.
3. To return to the home screen, tap on the left dot and then on the clock symbol.



6.3 SETTING THE DISPLAY BRIGHTNESS

Depending on where you set up your LIGRE siji, you can adjust the brightness of the display to the surroundings. This ensures optimum operation via the coffee grinder's touchscreen.

1. To open the menu, touch the circle symbol on the touchscreen for approx. 2 seconds.
 - ▶ The menu opens.
2. Tap on the dot on the right.
 - ▶ The brightness is displayed.
3. To set your preferred display brightness, move the slider to the left or right.
4. To return to the home screen, tap on the left dot and then on the clock symbol.



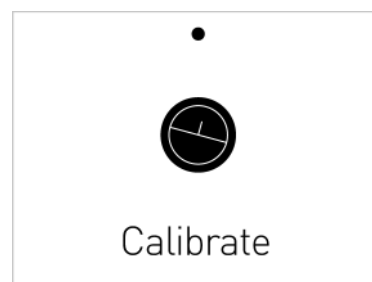
6.4 CALIBRATING THE SCALE

Your grinder's scale is designed so that it will deliver precise results, even after many years of use. If the results should nevertheless deviate from your expectations, you can recalibrate the scale in a few simple steps.

You need a weight of exactly 50 grams for the calibration.

You can use five 2-euro coins + one 1-euro coin for calibration. These six coins have a total weight of exactly 50 grams. Alternatively, you can use five Swiss 5-franc coins + two 10-centime coins as a weight.

1. To open the menu, touch the circle symbol on the touchscreen for approx. 2 seconds.
 - ▶ The menu opens.
2. Tap on the dot on the right.
 - ▶ The brightness is displayed.
3. Touch the right-hand dot again for approx. 5 seconds until the calibration menu opens.
4. Start the calibration by tapping "Calibrate" briefly and follow the instructions on the touchscreen.
5. When "Insert Empty" is displayed, gently place an empty single or double portafilter into the portafilter holder and release it. Then tap on "OK".
 - ▶ The display changes to "Add 50g".
6. Add a weight of 50 grams and tap on "OK".
 - ▶ The calibration process starts automatically.
 - ▶ After a few seconds, the display switches back to the brightness settings – calibration is now complete.
7. If you want to cancel the calibration, tap briefly on the small dot in the top centre.



7 THE CLEANING AND MAINTENANCE

Regular cleaning ensures that your coffee grinder works perfectly. This not only gives you consistent grinding results, but also extends the service life of your LIGRE siji.

NOTE



Unsuitable cleaning agents or incorrect dosages will damage your LIGRE siji. We recommend using LIGRE cleaning agents. LIGRE cleaning agents have been specially developed for your LIGRE siji and have been optimised for this coffee grinder. They enable optimum cleaning and ensure the longevity of your LIGRE siji.

7.1 CLEANING THE COFFEE GRINDER

We recommend cleaning your LIGRE siji, including the powder outlet, at least once a week.

NOTE



Wetness or moisture in the bean hopper causes the burr grinder to become stuck, blocked and ultimately damaged.

- Only clean the bean hopper and burr grinder with a slightly damp cloth.
 - Allow the grinder to dry completely after cleaning.
-

1. Switch off the coffee grinder at the power switch on the back and disconnect the mains plug from the power supply.
2. Remove the silicone attachment from the back wall above the portafilter holder and place it safely to one side.
3. Remove all of the remaining ground coffee from the powder outlet and around the portafilter holder with a vacuum cleaner.
4. Clean the rubber feet with a damp cloth.
5. Wipe the surfaces and the cable of the grinder with a soft, damp cloth.
6. To avoid streaks, dry the grinder with a soft cloth.
7. Reinsert the silicone attachment.
8. Plug in the mains plug and switch the coffee grinder back on at the power switch.

7.2 CLEANING THE BURR GRINDER

To always achieve optimum grinding results, clean the burr grinder with LIGRE grinder cleaner after every 2 kg of beans used.

The values shown in the statistics help you to estimate when the burr grinder needs to be cleaned. You can find out more in 6.2, "Opening the statistics".

NOTE



We recommend using LIGRE grinder cleaner to clean the burr grinder.

NOTE



Remove the silicone attachment for the tilt angle beforehand and put it safely to one side.

CLEANING THE BURR GRINDER WITH GRINDER CLEANER

1. Switch off the coffee grinder at the power switch on the back and disconnect the mains plug from the power supply.
2. Empty the bean hopper and clean it with a vacuum cleaner.
3. Remove the silicone attachment from the back wall above the portafilter holder and place it safely to one side.
4. Remove all of the remaining ground coffee from the powder outlet and around the portafilter holder with a vacuum cleaner.
5. Pour 2 heaped tablespoons of LIGRE grinder cleaner into the bean hopper.
6. Plug in the mains plug and switch the coffee grinder back on at the power switch.
7. Select the amount for a double espresso and insert the portafilter into the portafilter holder.
8. Once the grinding process has ended, empty the portafilter and dispose of the ground material.
9. Please repeat the process until no grinder cleaner is left in the grinder.
10. Place approx. 3 tablespoons of coffee beans into the bean hopper and grind them until only pure coffee powder is dispensed.
11. Remove any residue from the grinder cleaner from the powder outlet and around the portafilter holder with a vacuum cleaner.
 - ▶ The burr grinder of your coffee grinder has now been completely cleaned.

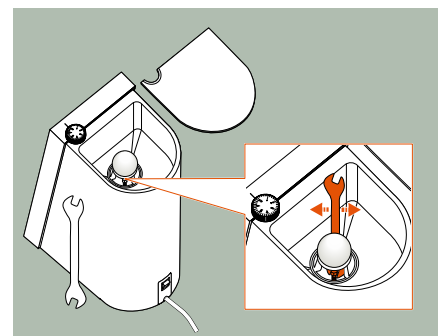
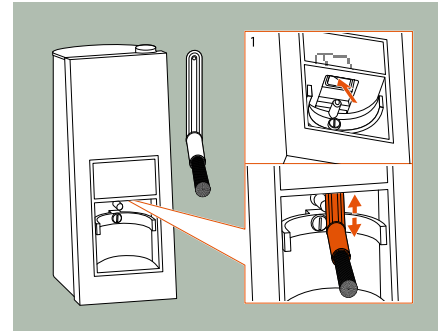
12. Reinsert the silicone attachment.

- ▶ Your LIGRE siji is ready for another grinding process.

REMOVING A BLOCKAGE FROM THE POWDER OUTLET AND/OR BURR GRINDER

The powder outlet on your grinder can become clogged and completely blocked with ground coffee. No more ground coffee can then be dispensed.

1. Use the handle of the cleaning brush for the brew group or the handle of a teaspoon to clear the grinding channel of any remaining coffee powder. To do this, guide the brush handle into the powder outlet from below and scrape the surfaces to clean them.
2. If the burr grinder continues to jam, first try to open the grinding discs further by setting a coarser grinding degree to clear the blockage.
3. If the burr grinder is still blocked, please switch off the grinder and disconnect the power plug. Then empty the bean hopper completely so that there are no more beans in it.
4. Then use a size 11 open-end spanner to move the screw of the burr grinder slightly to remove any blockages.
5. Finally, please vacuum out the bean hopper and powder outlet. Follow the procedure under 4.1 "Setting up and connecting", plug in the power plug and switch the grinder back on.



NOTE




You can find the cleaning brush for the brew group as an accessory in our webshop at ligre.com.

7.3 MAINTENANCE

To ensure long-term safe operation, we recommend that you have your LIGRE siji serviced by LIGRE Service after every 300 kg of ground material.

The LIGRE Customer Center will be happy to help you.

8 TECHNICAL DATA

Type	Coffee grinder siji
Voltage	220-240 V ~ 50 Hz
Power consumption	320 W
Sound power level	< 70 dB(A)
Revolutions per minute	1,350 rpm
Production output	1-3 g/s
Bean hopper capacity	250 g
Empty weight	6.7 kg
Width x height x depth	140 x 345 x 224 mm
Ambient temperature for proper operation	+10 °C to +35 °C
Certification	

9 THE TROUBLESHOOTING


Here you will find an overview of possible faults, their causes and how to fix them.

Fault	Cause	Troubleshooting
Why is the touch-screen on my grinder showing the message “!!!”?	The grinder has detected an error during weighing.	Remove the portafilter from the grinder, wait for a few seconds and start another grinding process.
	The current grinding degree is too fine.	Remove the portafilter from the grinder and set a coarser grinding degree. More on this in 5.3, "Adjusting the grinding degree".
	The grinding degree was set finer with the burr grinder stopped.	Remove the portafilter from the grinder and set a coarser grinding degree. More on this in 5.3, "Adjusting the grinding degree".
Why won't the weighing process start?	The portafilter was inserted into the grinder when it was switched off.	Check whether the grinder is plugged in and switched on. Remove the portafilter from the grinder, wait for a few seconds and start another grinding process.
	The grinder is no longer calibrated correctly.	Recalibrate the grinder. More on this in 6.4, "Calibrating the scale".
Why does the grinder not grind and indicate that the bean hopper is empty even though there are enough beans in it?	The grinding degree is too fine and the grinder is blocked.	Make the grinding degree coarser using the knob. You may have to turn a full turn or more to release the blockage. Then set the desired grinding degree again.
	The powder outlet and/or the grinding discs are blocked.	Clean your grinder with a vacuum cleaner, the brush for portafilters and, if necessary, with an 11 mm open-ended spanner. More on this in 7.2, "Cleaning the burr grinder".

Fault	Cause	Troubleshooting
Why does my grinder cancel the grinding process and display the message “!!!”?	The portafilter was touched.	Remove the portafilter from the grinder, dispose of the ground coffee and start another grinding process.
	The grinder or the portafilter wobbles or vibrates during operation.	Make sure that the grinder is set up properly and that the grinder's rubber feet are clean. More on this in 4.1, "Setting up and connecting".
Why does the grinding degree of the ground coffee not correspond to the setting on the grinder?	The knob for setting the grinding degree has been overtightened.	Adjust the grinding degree to a finer setting while the burr grinder is running until the grinding discs audibly touch. The grinder is now reset. Then set the desired grinding degree. More on this in 5.3, "Adjusting the grinding degree".
Why is the ground coffee not coming out after the grinding process?	The grinder is still damp after cleaning.	Allow the coffee grinder and burr grinder to dry completely.
	The coffee beans are too moist or too oily.	Clean the coffee grinder and burr grinder and allow everything to dry fully. More about this in 7.1 "Cleaning the coffee grinder" and 7.2 "Cleaning the burr grinder" Use different coffee beans.
Why is my grinder louder than normal during the grinding process?	The lid is not fitted to the bean hopper correctly.	Place the lid on the bean hopper correctly.
	The bean hopper is empty.	Fill fresh coffee beans into the bean hopper.

Fault	Cause	Troubleshooting
Why does so much ground coffee fall out during grinding?	The ground coffee is statically charged.	<p>Use the funnel supplied.</p> <hr/> <p>Adjust the portafilter holder.</p> <p>More on this in 6.1, "Aligning the portafilter".</p> <hr/> <p>Wet a spoon with water without filling it up. Then use the wet spoon to stir the beans in the bean hopper once. This reduces the static charge.</p>

NOTE

 If you cannot fix the fault or the fault occurs frequently, we will be happy to assist you.

More on this in 12, "The LIGRE Service".

10 ON ENVIRONMENTAL PROTECTION AND ENERGY

SAVING ENERGY

If you are not planning to use your coffee grinder for a prolonged period of time, you can switch it off using the power switch on the back. This enables you to save energy and protect the environment.

KEEPING THE PACKAGING

Please keep the original packaging for any subsequent dispatch for service or maintenance purposes.

If this is not possible, please dispose of the packaging material in accordance with your local waste management regulations and return the packaging to the recycling cycle. You are welcome to use the practical bag in which your LIGRE siji was delivered for other purposes. In doing so, you are helping to protect the environment and promote sustainability.

DISPOSING OF THE APPLIANCE

If you should one day dispose of your coffee grinder, please do so in an environmentally friendly manner so that valuable raw materials can be reused. You can obtain information about current disposal options from your local government or city council.

11 THE WARRANTY

The statutory warranty for the LIGRE siji is 24 months from receipt of the goods. LIGRE accepts no liability for any consequences resulting from improper or non-design-conforming use.

In principle, damages or malfunctions caused by deposits or contamination are not covered by the manufacturer's guarantee or the statutory warranty.

12 THE LIGRE SERVICE

Your satisfaction is important to us. Do you still have questions about your LIGRE siji? Do you require further information or support to make your coffee experience perfect?

You can contact us in various ways:

- send us a message via the contact form on ligre.com
- write us an email at: wecare@ligre.com
- call us at: +43 720 881239
- we can also answer you via WhatsApp on request

The LIGRE Customer Center will be happy to help and advise you.

NOTE



On our website at ligre.com/service you will find lots of helpful information and how-to videos on operating and maintaining the LIGRE siji, as well as FAQs, instructions and other documents.

Version 1.1 (2025)

Subject to technical changes and errors.

Manufacturer:

LIGRE GmbH & Co KG · Innstraße 2 · A-6342 Niederndorf · Österreich